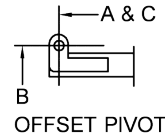
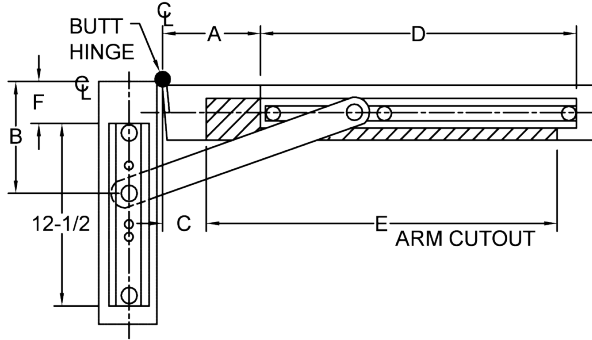
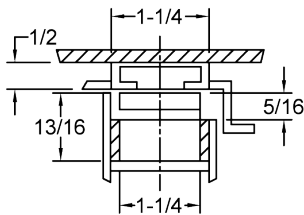
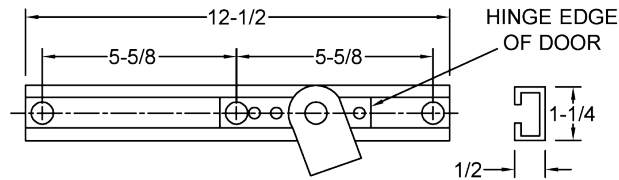
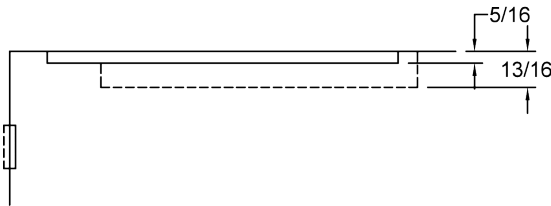


1000SL- ADJ SERIES CONCEALED HOLDERS & STOPS

REVERSIBLE NON - HANDED



IMPORTANT
 JAMB BRACKET TRACK MUST BE
 INSTALLED WITH SHORT END OF
 JAMB BRACKET TOWARD HINGE
 EDGE OF DOOR



AFTER INSTALLATION TIGHTEN
 THREE (3) ALLEN HEAD SET
 SCREWS IN JAMB BRACKET AT
 SELECTED DEGREE USING "B"
 DIMENSIONS AS REFERENCE AND
 5/32 ALLEN WRENCH.

NOTE: A, B, & C DIMENSIONS MEASURED AS SHOWN

SCREW DETAIL			
	QTY	WOOD	METAL
JAMB	3	No. 14 x 1-1/2" F.H.W.S	1/4" -20 X 3/4" F.H.M.S.
DOOR	2	No. 18 x 2-1/2" F.H.W.S	5/16" - 18 X 1-1/2" F.H.M.S.

ALWAYS REQUEST LATEST TEMPLATE
 DRAWINGS FOR NEW INSTALLATIONS

DO NOT SCALE DRAWINGS
 ALL DIMENSIONS ARE IN INCHES