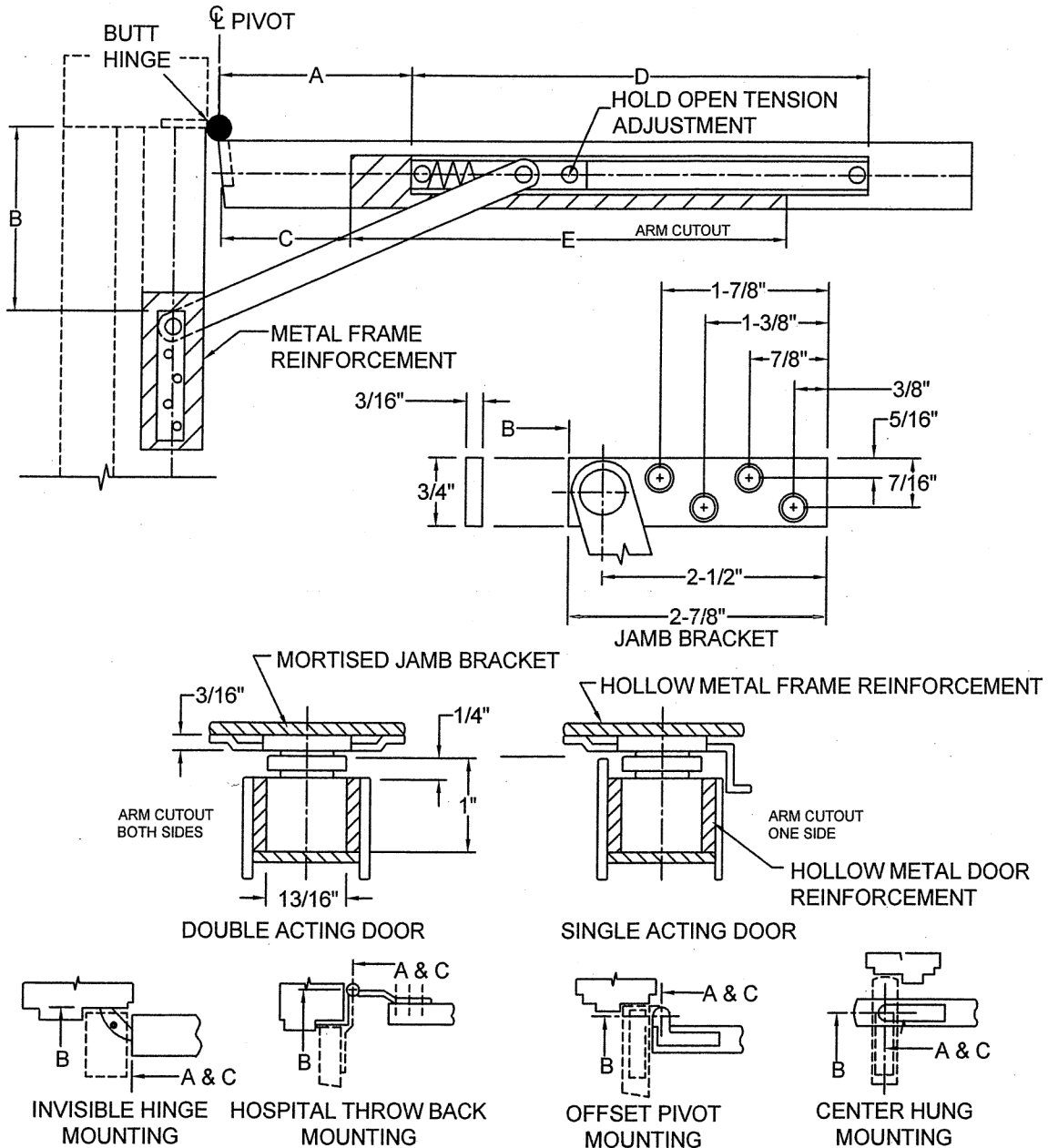


4000 SERIES CONCEALED HOLDERS & STOPS

REVERSIBLE

 18 TO 29¹⁵/₁₆" WIDE DOORS-
 BUTT, INVISIBLE, HOSPITAL HINGES & OFFSET PIVOTS

NON - HANDED



NOTE: A, B, & C DIMENSIONS MEASURED AS SHOWN

SCREW DETAIL			
	QTY	WOOD	METAL
JAMB	4	No.10 x 1- ¹ / ₂ " F.H.W.S	10-32 x ¹ / ₂ " F.H.M.S
DOOR	2	No.10 x 1- ³ / ₄ " R.D.H.W.S	10-32 x 1- ¹ / ₂ " TRUSS HEAD MS

 ALWAYS REQUEST LATEST TEMPLATE
 DRAWINGS FOR NEW INSTALLATIONS

 DO NOT SCALE DRAWINGS
 ALL DIMENSIONS ARE IN INCHES