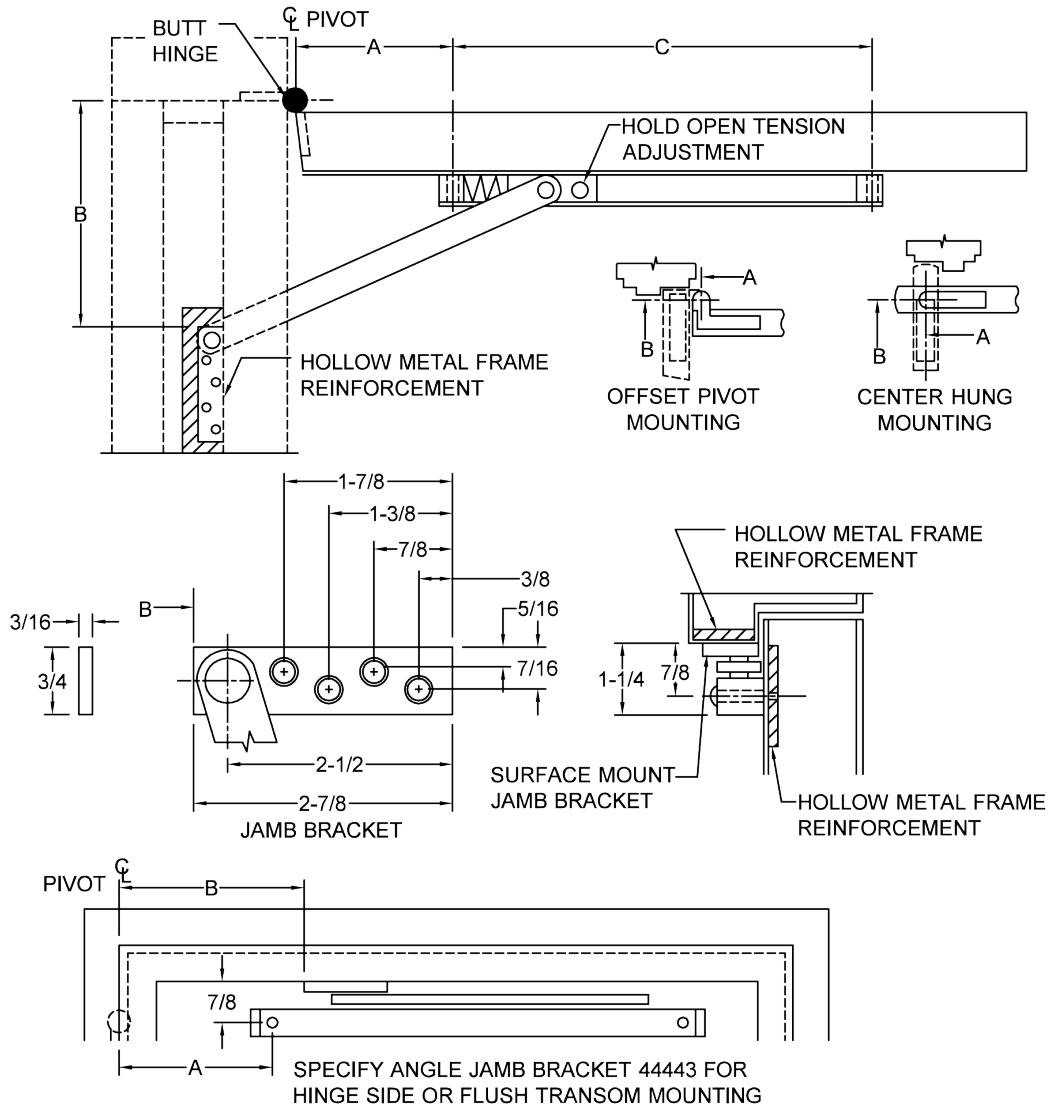


## 4400 SERIES SURFACE HOLDERS & STOPS

REVERSIBLE

FOR SINGLE ACTING DOORS ONLY

NON - HANDED


 NOTE: ALL A, B & C DIMENSIONS MEASURED FROM  $\text{C}$  OF PIVOT

| SCREW DETAIL |     |  |  |
|--------------|-----|--|--|
|              | QTY | WOOD   | METAL  |
| JAMB         | 4   | No. 10 X 1-1/2" F.H.W.S.                           | 10-32 X 1/2" F.H.M.S.                              |
| DOOR         | 2   | 10-32 X 1-1/2" TRUSS HD MS,<br>5/16" DIA. SEX BOLT | 10-32 X 1-1/2" TRUSS HD MS,<br>5/16" DIA. SEX BOLT |

 ALWAYS REQUEST LATEST TEMPLATE  
 DRAWINGS FOR NEW INSTALLATIONS

 DO NOT SCALE DRAWINGS  
 ALL DIMENSIONS ARE IN INCHES