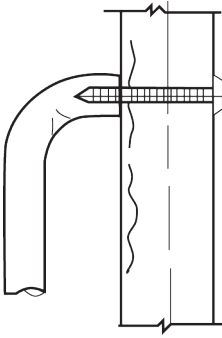
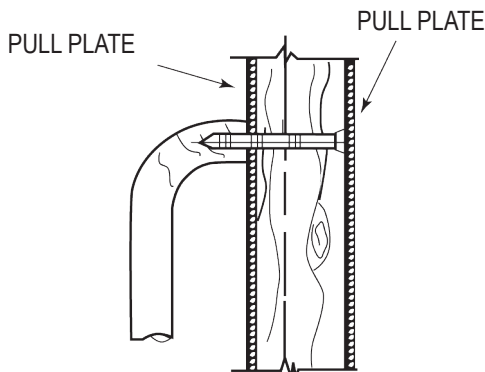
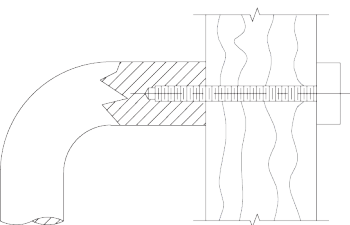
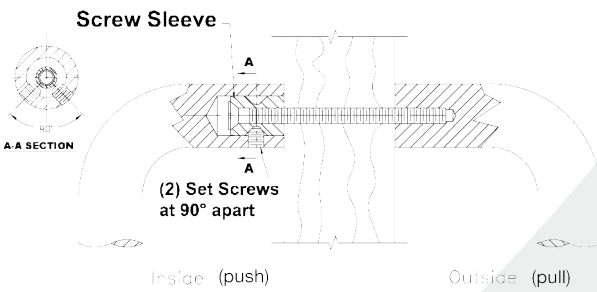


Mounting

- All mounting hardware is for standard 1-3/4" door.
- Consult Customer Service other than standard.

<h3>Standard Mounting</h3>  <h4>Standard Mounting</h4> <ul style="list-style-type: none"> • (2) 1/4-20 x 2-1/4" brass, oval head machine screws; plated to match. • (2) No. 14 countersunk washers; plated to match 	<h3>Wood Doors</h3>  <h4>Concealed Pull Mounting With Push Plate</h4> <ul style="list-style-type: none"> • (2) 1/4-20 x 2-1/4" steel flat head machine screws; zinc plated. <p>Plate on opposite side of door must be ordered separately.</p>
<h3>Back-Back "Two-Anchor"</h3>  <h4>Wood or Metal Door</h4> <ul style="list-style-type: none"> • (2) 1/4-20 x 2-3/4" steel countersunk trim head machine screws with • (4) set screws for maximum anchoring force. • (2) Steel screw sleeves; zinc plated. 	<h3>Decorative Blind Thru - Bolt</h3>  <h4>Wood or Metal Door</h4> <ul style="list-style-type: none"> • (2) 1/4-20 x 2-1/4" blind thru - bolts; plated to match.